

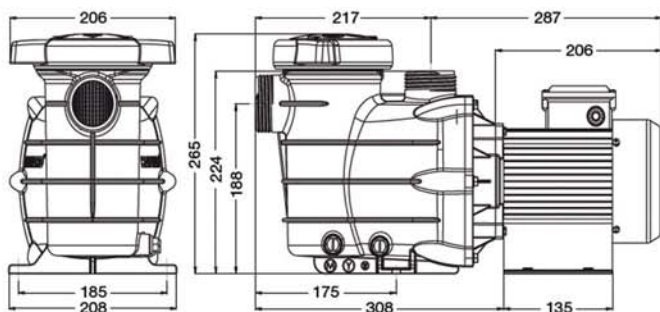
SwimPro® Pump

50Hz

The SwimPro pump is ideal for small pool applications. The SwimPro pump is small in size but not small on features and performance. The self-priming pump features a silent running totally enclosed fan cooled motor as well as union connections and an easy to use cam-lock lid on the full size 1.1 liter strainer basket. SwimPro is an excellent choice when performance, features and value are demanded.

The ADVANTAGES

- Pump designed for small pools and/or above-ground pools
- Exceptional performances, one of the best in its category
- 1.1 Liter pre-filter basket



All dimensions in mm

ALL PURPOSE

- 50mm to glue adapters with optional 1.5" adapter tail.
- Four single phase sizes available

PERFORMANCE

- Self priming pump with sealed and ventilated motor (IPX5)
- Strong, high output TEFC motor.
- Silent pump.

STRENGTH

- High resistance to chemical and salt corrosion.

EASY MAINTENANCE

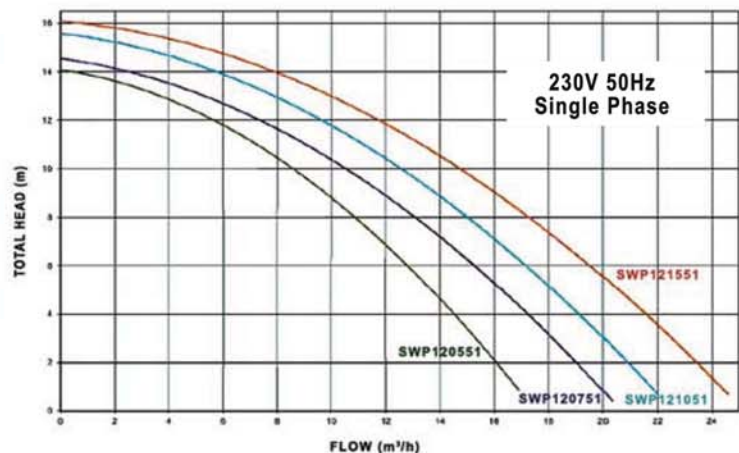
- Transparent, polycarbonate 1/4 turn cover for quick opening.
- Drainage caps to make servicing easier.
- 1.1 Liter pre-filter basket



Easy access to the pre-filter through the quarter turn cover



Drainage caps for convenient servicing



Model No.	Power	Flow rate*	Length	Height	In/Out	Weight	Input Power P1	Output Power P2	Amperage
SWP120551	0.50 Hp	10.8 m ³ /h	485mm	260mm	50mm/50mm	8.65 kg	610 W	560 W	2.6A
SWP120751	0.75 Hp	13 m ³ /h	485mm	260mm	50mm/50mm	9.16 kg	790 W	610 W	3.4A
SWP121051	1.0 Hp	15 m ³ /h	485mm	260mm	50mm/50mm	9.16 kg	920 W	730 W	4.0A
SWP121551	1.5 Hp	17.2 m ³ /h	505mm	260mm	50mm/50mm	11.3 kg	1100 W	900 W	4.8A

* At 8m head

Distributor:

